



10 Series

1-Piece Body Design

Reduced Bore

Sizes 1/4" - 2"

800 WOG

Available in SS316 body only

Threaded End

Investment Casting

Compact Design

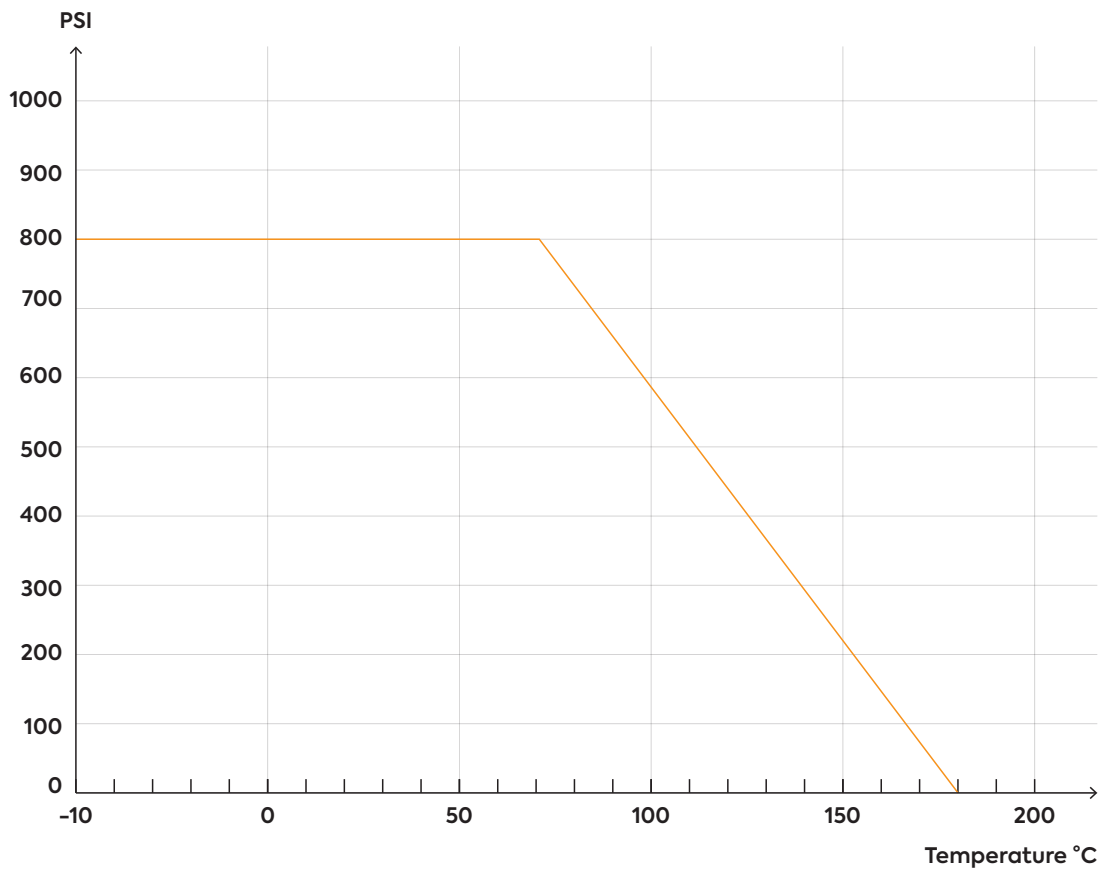
Blowout-Proof Stem

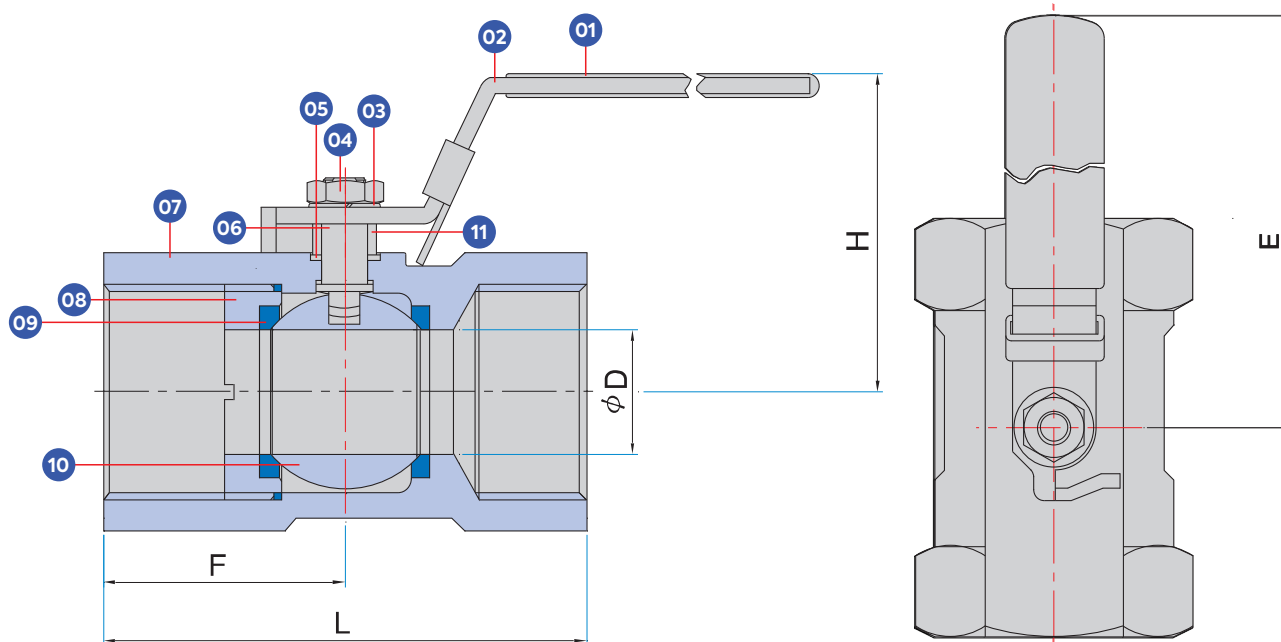
Standard Seat:
PTFE (max.180°C)

Lockable Handle

ValveWerkz 10 series ball valves feature a high quality investment casting body and ends. They are available 1/4" - 2" threaded.

Pressure/Temperature Ratings





Part Name	Material
1. Handle Sleeve	VINYL
2. Handle	SUS304
3. Washer	SUS304
4. Stem Nut	SUS304

Part Name	Material
5. Stem Packing	PTFE
6. Stem	SUS316
7. Body	SUS316
8. Insert	SUS316

Part Name	Material
9. Seat	PTFE
10. Ball	SUS316
11. Bushing	SUS304

Dimensions(mm)

Size(Inch)	ØD	E	F	H	L	CV	Weight(kg)
¼"	5	61	19	31	39	6	0.07
⅜"	7	72	21	36	44	7	0.12
½"	9.2	85	27.5	41	56.5	10	0.19
¾"	12.5	85	30	44	59	19	0.27
1"	16	101	36	48	71	42	0.43
1¼"	20	101	40	54	78	60	0.72
1½"	25	125	42.5	65	83	125	0.87
2"	32	125	51	72	100	165	1.36

The information provided in this document is intended for informational purposes only and is subject to change without notice.

REQUEST FOR QUOTE



STEP 1

Find the model series



STEP 2

Define the specification/valve code



STEP 3

Fill up ordering sheet (back of the brochure) or Scan the QR code below



STEP 4

Submit your order via our website or contact your local partner

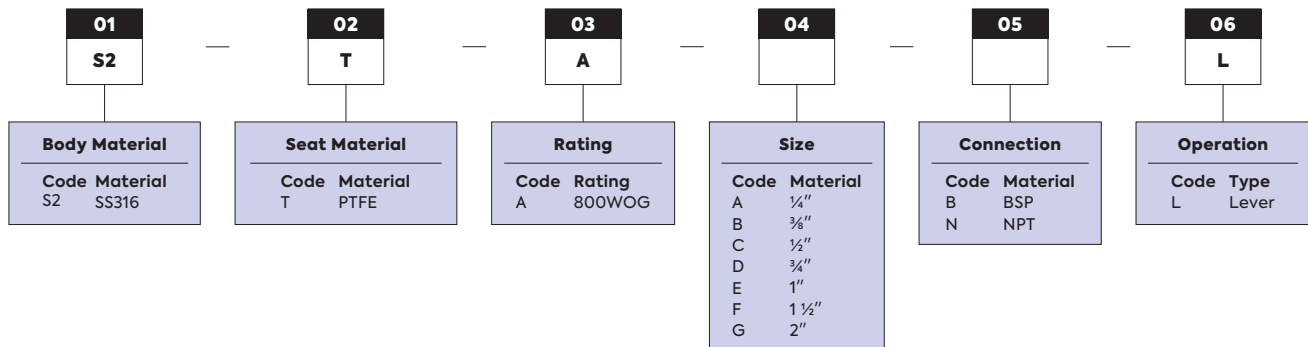


STEP 5

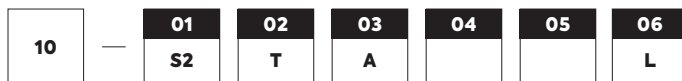
Prepare for confirmation and delivery

*For further assistance with placing your order, please contact your local partner. A sales engineer will be assigned to assist you.

Valve Coding Sheet 10 Series



Your Valve Ordering Code:



Example:

10 Series - S2TABBL.
SS316 Material. PTFE Seat. Pressure Rating of 800WOG, ¾ inch size. Connection Type of BSPT - Tapered. Lever Operating type.

*For special material or customisation, please refer to our sales engineer.



SCAN FOR ONLINE ORDERING FORM

Tel: +65 6909 1221
Email: enquiry@valvewerkz.com
Website: www.valvewerkz.com