



50 Series

3-Piece Body Design

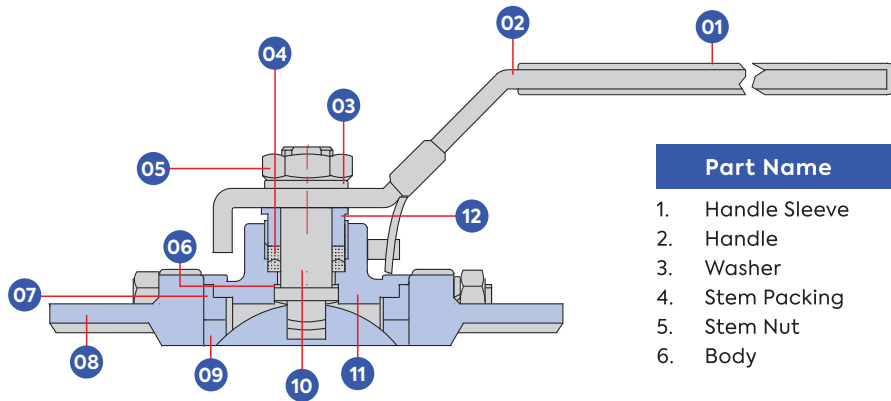
Full Bore

- ____ Sizes 1/4" - 4"
- ____ 1000 WOG
- ____ WCB / SS316 body
- ____ Threaded End, Socket Weld End, Butt Weld End
- ____ Superior Live Loaded Packing System
- ____ Blowout-Proof Stem
- ____ Dual Anti-Static Device

Standard Seat:
RPTFE (max. 180°C)

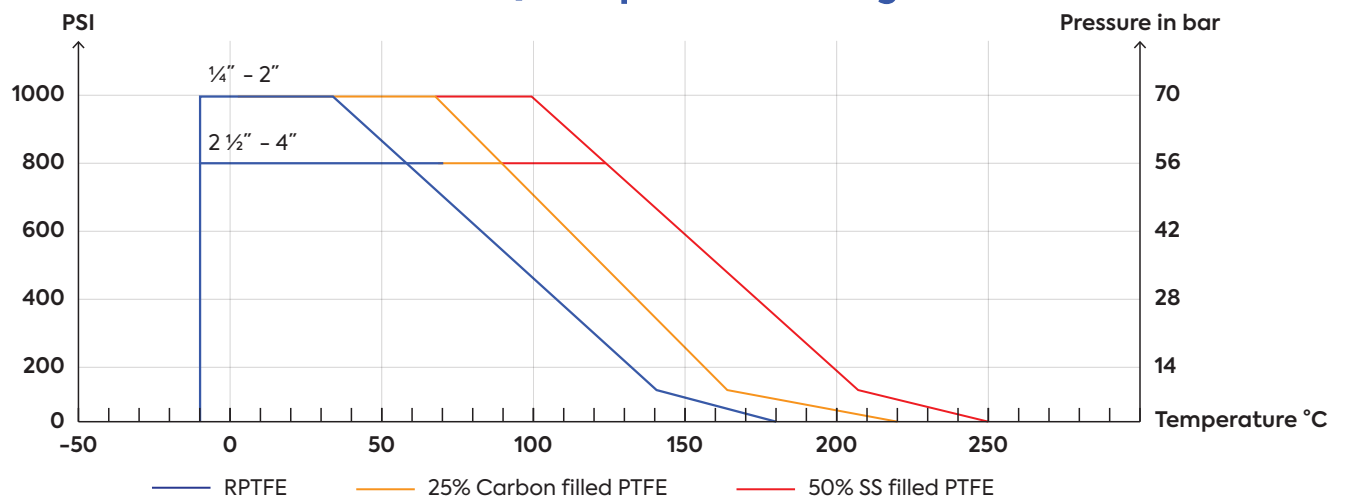
- Seat Options:**
- ____ 25% Carbon filled (max. 220°C)
 - ____ 50% SS filled (max. 240°C)
 - ____ Lockable Handle

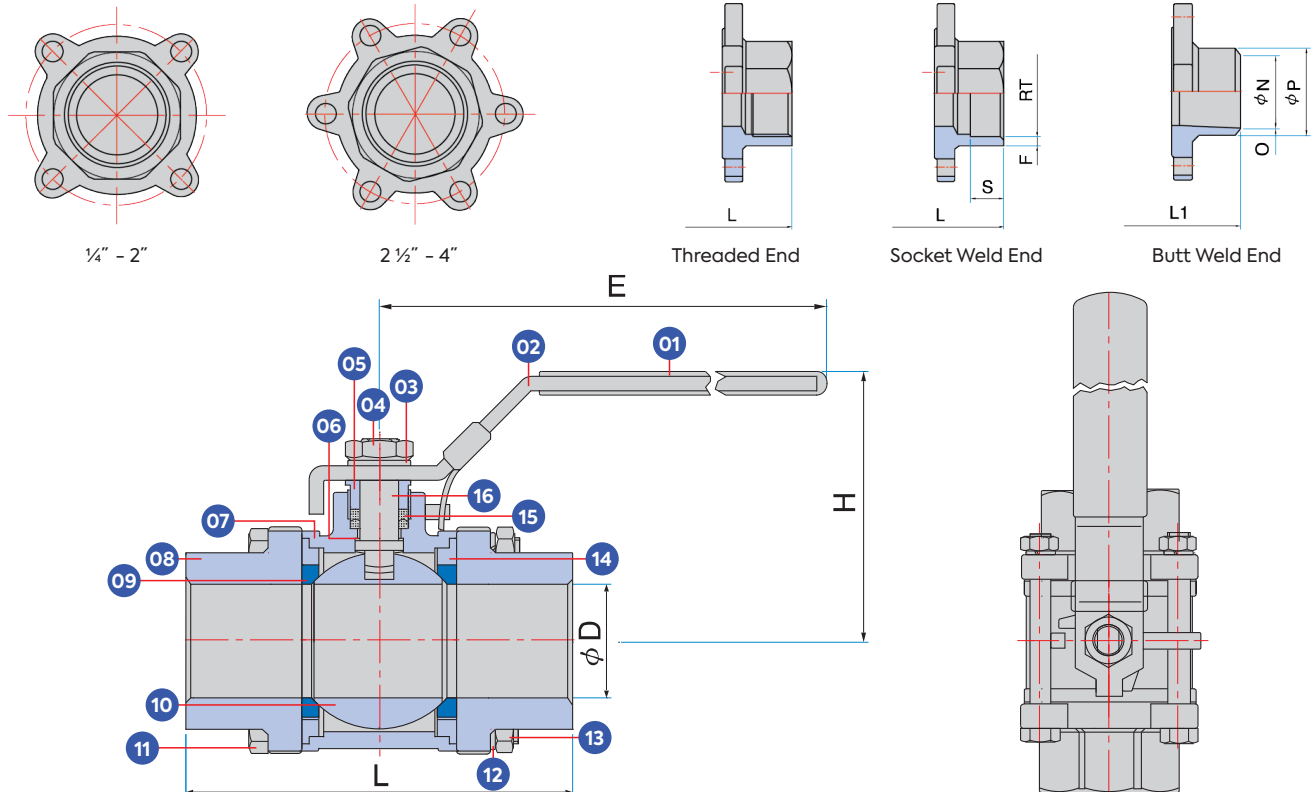
ValveWerkz 50 series ball valves feature a high quality investment casting body and ends. They are available 1/4" - 4" with threaded, socket weld and butt weld ends. Superior leak protection is, accomplished by using a live-loaded packing system including Belleville washers and double "V" ring packing.



Part Name	
1.	Handle Sleeve
2.	Handle
3.	Washer
4.	Stem Packing
5.	Stem Nut
6.	Body
7.	Joint Gasket
8.	Body Seal
9.	Seat
10.	Stem
11.	Body
12.	Gland Nut

Pressure / Temperature Ratings





Part Name	Material	Part Name	Material	Part Name	Material
1. Handle Sleeve	VINYL	7. Body	SUS316 / WCB	13. Bolt Nut	SUS304
2. Handle	SUS304	8. End Cap	SUS316 / WCB	14. Joint Gasket*	PTFE
3. Washer	SUS304	9. Seat*	RPTFE	15. Stem Packing*	PTFE
4. Stem Nut	SUS304	10. Ball	SUS316	16. Stem	SUS316
5. Gland Nut	SUS304	11. Bolt	SUS304		
6. Stem Seal*	PTFE	12. Washer	SUS304		

*Spare Parts available in Repair Kit. Please refer to page 56 for more details.

Dimensions(mm)

Size	ØD	E	F	H	S	L	L1	LE	ØN	ØN1	O	ØP	ØP1	RT	CV	Weight(kg)
1/4"	11.6	103	3.6	54	11	59	61	223	11.6	11.6	1	18	15	14.2	7	0.34
3/8"	12.5	103	2	54	11	59	61	223	12.5	14	1	18	17	17.7	8	0.32
1/2"	15	133	2	55	12	69	69	225	17	15.6	1	22.7	21	21.9	15	0.56
3/4"	20	133	2.6	59	14	78	78	225	22.5	20.7	1	27.7	26.8	27.2	10	0.72
1"	25	153	3.2	70	14	84	84	244	26	25.8	1	33.5	34.4	33.9	70	1.02
1 1/4"	32	153	4.05	75	15	104	104	253	34.4	33.3	1	42.2	43.4	42.7	110	1.5
1 1/2"	38	191	3.7	84	17	119	119	258	41.5	40.5	1	48.8	49.8	48.8	250	2.38
2"	50	191	4.35	92	19	131	131	275	53	51.5	1	61	61	61.3	400	3.54
2 1/2"	65	247	5.75	128	21	162	162	332	65.8	68	1	77	77	74	600	7.12
3"	80	247	5.25	137	25	182	182	351	81	81	1	91	91	90	1100	12.3
4"	100	295	5.7	173	30	230	230	360	102	101	1	115	115	115.6	2000	19.65

The information provided in this document is intended for informational purposes only and is subject to change without notice.

REQUEST FOR QUOTE



STEP 1

Find the model series



STEP 2

Define the specification/valve code



STEP 3

Fill up ordering sheet (back of the brochure) or Scan the QR code below



STEP 4

Submit your order via our website or contact your local partner

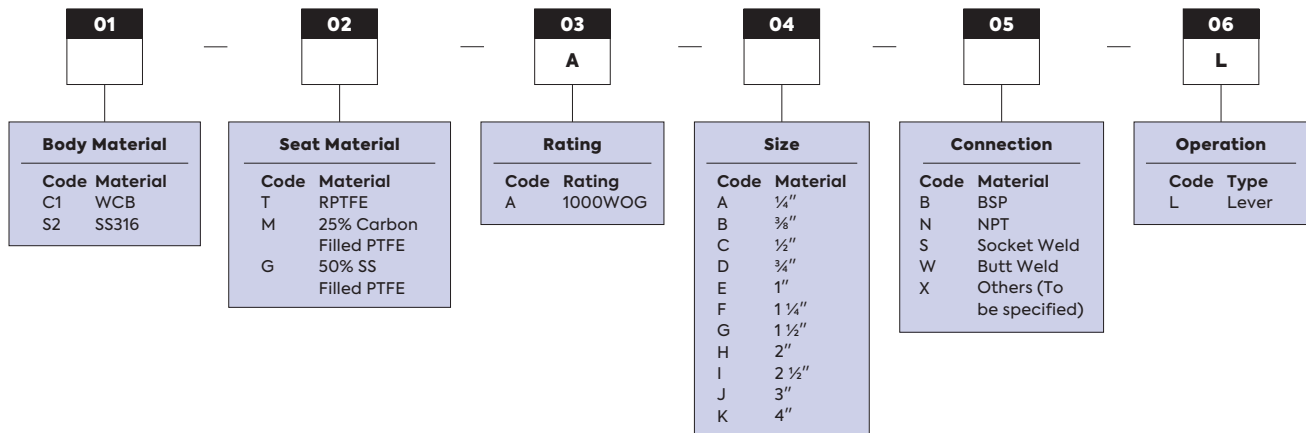


STEP 5

Prepare for confirmation and delivery

*For further assistance with placing your order, please contact your local partner. A sales engineer will be assigned to assist you.

Valve Coding Sheet 50 Series



Your Valve Ordering Code:



Example:

50 Series - S2TABBL.
SS316 Material. RPTFE Seat. Pressure Rating of 1000WOG, ⅜ inch size. Connection Type of BSPT - Tapered. Lever Operating type.

*For special material or customisation, please refer to our sales engineer.



SCAN FOR ONLINE ORDERING FORM

Tel: +65 6909 1221
Email: enquiry@valvewerkz.com
Website: www.valvewerkz.com