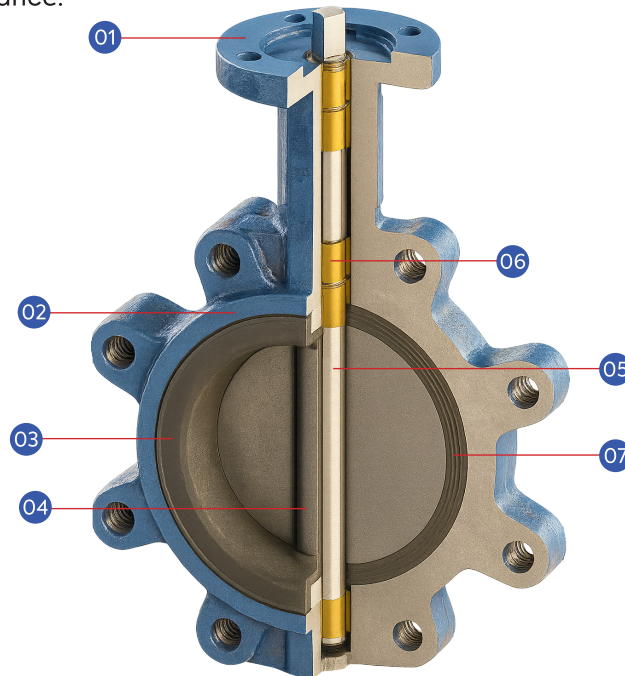


RUBBER-LINED BUTTERFLY VALVE

ValveWerkz butterfly valves are developed with over 20 years of scientific research and real-world application experience. They offer enhanced torque control, smooth operation, and simplified installation and maintenance.



1. Top Flange

ISO 5211 top flange with square or round stem to suit various types of actuators.

2. Body

Available in full lug and wafer styles for compatibility with all flange types. Fully lugged bodies are also suitable for end-of-line service.

3. Liner

The cartridge-style seat uses a phenolic stabilising ring to minimise tearing and fatigue while maintaining low seating torque. It resists extrusion and allows quick replacement without special tools.

4. Disc

The disc edge is precision-machined and polished to ensure a tight shutoff with minimal operating torque.

5. Shaft

Secured with a stem retainer plate, the shaft is designed without a pin between disc and shaft, preventing blowout.

6. Bushing

The five-bushing PTFE design maximises radial support and shaft rigidity. It prevents shaft deflection and insulates the shaft from the valve body, enhancing control and extending service life.

7. Bi-Directional Sealing

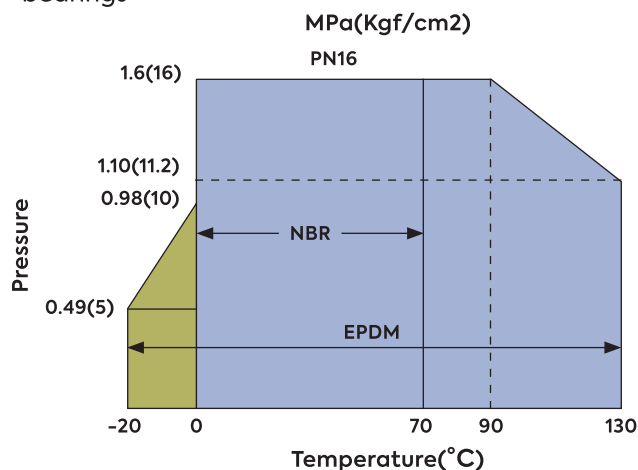
The valve provides full-rated bi-directional sealing with equal flow performance in both directions.

Design Features and Advantages

- Concentric design
- Cartridge seat and groove lock boot seat
- Replaceable seat
- Standardised top flange for actuator adaptation
- Direct actuator mounting without additional brackets
- Economical and high-performance
- Blowout-proof stem design
- Low maintenance and long service life
- High Cv and lower head loss for improved energy efficiency
- Streamlined disc design maximises flow and control range
- Extended seat life with low operating torque, achieved through upper and lower stem bearings

Various Applications Under Different Operating Conditions

- Potable water, water treatment plants
- Wastewater treatment and environmental systems
- Agriculture
- Energy, power, and utilities
- HVAC systems
- Fire protection systems
- Chemical and petrochemical plants
- Ferrous metallurgy
- Pulp and paper processing
- Food and beverage production
- General industrial applications



P-T Rating

Notes 1: Some fluid types may have restrictions for service at 130°C. Contact ValveWerkz for details.

Notes 2: P-T rating for sub-zero applications is available upon request. Contact ValveWerkz for technical advice if service conditions exceed the P-T rating range listed above.

Cv-VALUES

DN(mm)	Size(Inch)	Opening angle α°								
		10°	20°	30°	40°	50°	60°	70°	80°	90°
50	2"	0.06	3	7	15	27	44	70	105	115
65	2 1/2"	0.1	6	12	25	45	75	119	178	196
80	3"	0.2	9	18	39	70	116	183	275	302
100	4"	0.3	17	36	78	139	230	364	546	600
125	5"	0.5	29	61	133	237	392	620	930	1022
150	6"	0.8	45	95	205	366	605	958	1437	1579
200	8"	2	89	188	408	727	1202	1903	2854	3136
250	10"	3	151	320	694	1237	2047	3240	4859	5340
300	12"	4	234	495	1072	1911	3162	5005	7507	8250
350	14"	6	338	715	1549	2761	4568	7230	10844	11917
400	16"	8	464	983	2130	3797	6282	9942	14913	16388
450	18"	11	615	1302	2822	5028	8320	13168	19752	21705
500	20"	14	791	1647	3628	6465	10698	16931	25396	27908
600	24"	22	1222	2587	5605	9989	16528	26157	39236	43116
750	30"	37	2080	4406	9546	17010	28147	44545	66818	73426



BU25 Series

Uni Body Design

Wafer, Lug

Body Material Option:

Cast Iron GG25, Ductile Iron GGG40, Carbon Steel 1.0619, Stainless Steel 1.4308, Stainless Steel 1.4408

Liner Material Option:

EPDM, NBR(Buna N), PTFE, Viton, Natural Rubber, Silicone

Pressure rating of PN10, PN16, ANSI 150, JIS 10K, JIS 16K

Face-to-face Standard API609, EN558-120 Series, ISO5752, DIN3202K1

ISO 5211 Top Flange

Flange Drilling BS EN1092, JIS B2220, ASME Class 125 / Class 150

Two Piece Shaft Design (2" to 12")
Spline Design (14" & Above)

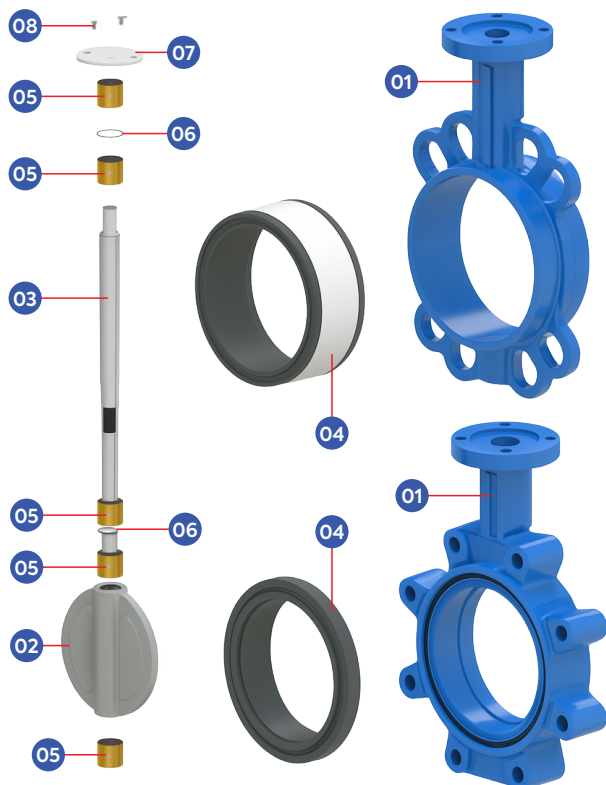
Square Stem Top

Operating Temperature

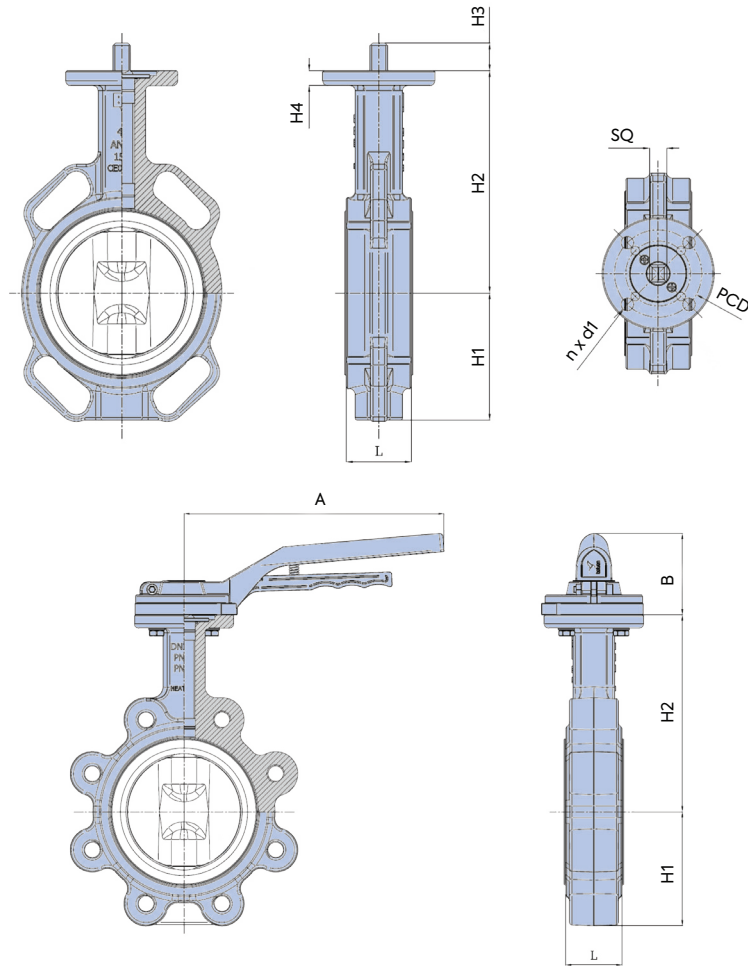
-20°C to 130°C

Performance Characteristics

- The butterfly valve features a universal flange, one-piece wafer-type body for reduced weight and maximum strength.
- The resilient cartridge seat, with a phenolic (or aluminium) hard back, prevents movement and deformation.
- Seat can also be moulded to the body, suitable for dead-end and vacuum service applications.
- Two stem connection types are available: pinless spline and traditional pin-type.
- High Cv and low head loss deliver longer service life with reduced operating torque.
- Operable via hand lever, worm gear, electric actuator or pneumatic actuator.
- The seat is replaceable, with a low-maintenance design for cost efficiency and extended durability.

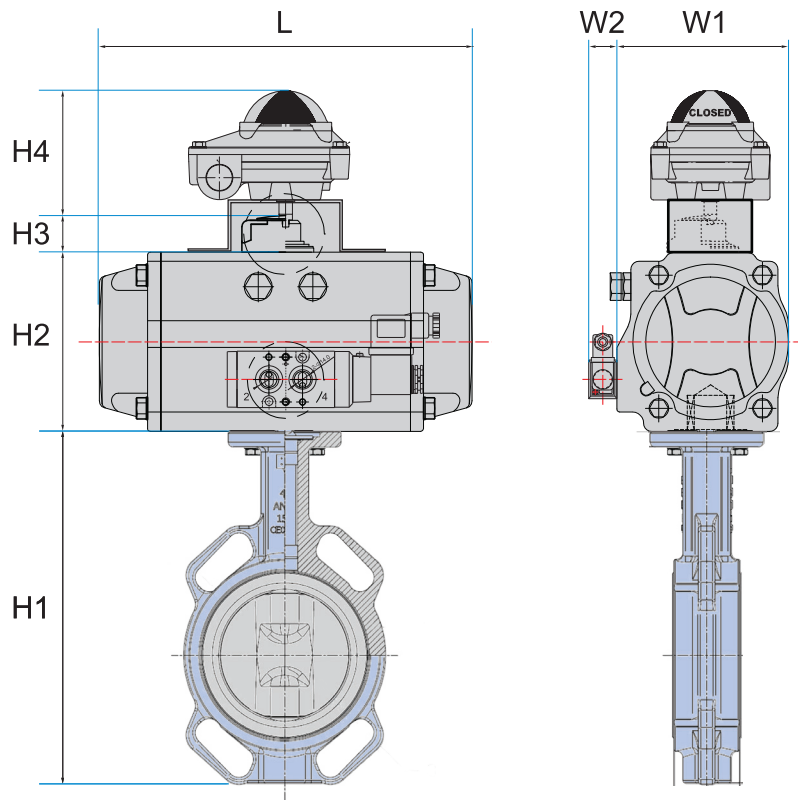


Part Name	Material
1. Body	Cast Iron GG25, Ductile Iron GGG40, Carbon Steel 1.0619, Stainless Steel 1.4308, Stainless Steel 1.4408
2. Disc	Ductile Iron, Stainless Steel 1.4308, Aluminum Bronze, Duplex SS
3. Shaft	Stainless Steel 1.4308, Duplex SS, Monel
4. Liner	EPDM, NBR(Buna N), PTFE, Viton, Natural Rubber, Silicone
5. Bushing	PTFE
6. O-Ring	Rubber
7. Retaining Plate	Stainless Steel 1.4308 / Other Alloys
8. Retaining Plate Screw	Stainless Steel 1.4308



Dimensions(mm)

DN	Inch	L	H1		H2		H3		SQ		ISO		PCD		n x d1		Lever		
			Wafer	Lug	Wafer	Lug	Wafer	Lug	Wafer	Lug	Wafer	Lug	Wafer	Lug	Wafer	Lug	A	B	F
2 Piece Shaft Design																			
50	2"	43	71.4	143.0	142.7	57	22.0	29	11	9	F05/F07	F05	70	50	4 x d10	4 x d8	190	65	F05
65	2 1/2"	46	77.8	155.0	155.4	68	22.0	29	11	9	F05/F07	F05	70	50	4 x d10	4 x d8	190	65	F05
80	3"	46	89.0	160.0	161.8	82	22.0	29	11	9	F05/F07	F05	70	50	4 x d10	4 x d8	190	65	F05
100	4"	52	102.0	181.0	178.0	100	22.0	29	14	11	F07	F07	70	70	4 x d10	4 x d10	256	76	F07
125	5"	56	123.0	194.0	190.5	112.0	22.0	29	14	14	F07	F07	70	70	4 x d10	4 x d10	256	76	F07
150	6"	56	138.0	202.0	205.2	126.0	22.0	29	14	14	F07	F07	70	70	4 x d10	4 x d10	256	76	F07
200	8"	60	168.0	240.0	237.0	162.0	34.5	35	17	17	F10	F10	102	102	4 x d12	4 x d12	355	106	F10
250	10"	68	207.0	272.0	268.3	193.0	34.5	35	22	22	F10	F10	102	102	4 x d12	4 x d12	355	106	F10
300	12"	78	243.5	318.0	308.5	236.5	34.5	35	27	22	F12	F10	125	102	4 x d14	4 x d12	355	106	F10
Spline Shaft Design																			
350	14"	78	328.0	368.0	264.0	267.0	45.0	45.0			F10	F10							
400	16"	102	360.0	400.0	293.0	298.0	51.2	51.2			F14	F14							
450	18"	114	400.0	422.0	324.0	318.0	51.2	51.2			F14	F14							
500	20"	127	460.0	480.0	350.0	355.0	64.2	64.2			F14	F14							
600	24"	154	540.0	562.0	440.0	444.0	70.2	70.2			F16	F16							
700	28"	165	624.0	624.0	505.0	505.0	66.0	66.0			F25	F25							



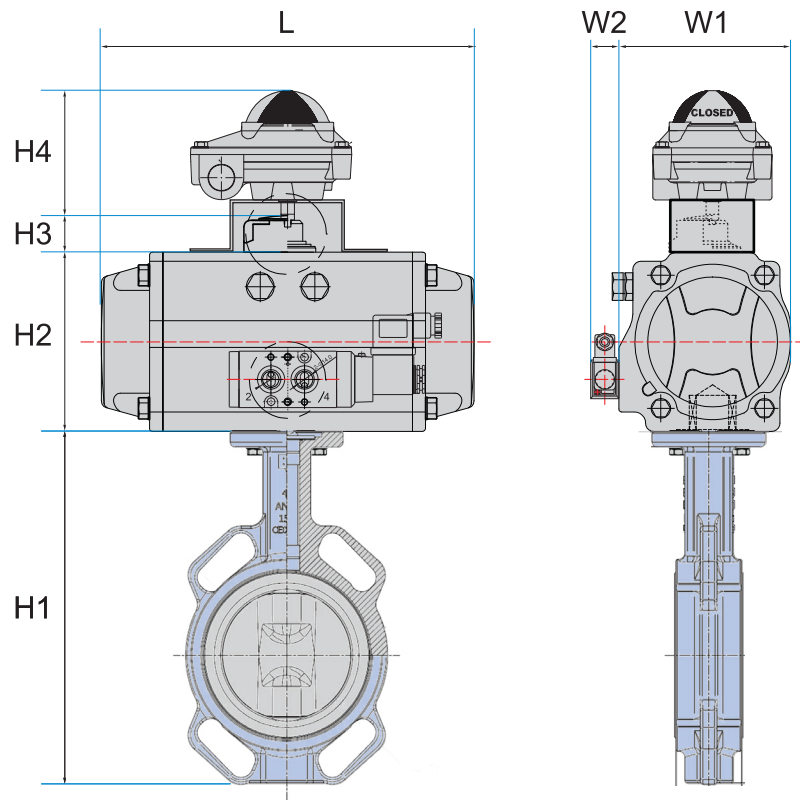
Pneumatic Actuator (Double Acting)

DN(mm)	Size(Inch)	Torques	Actuator	H1	H2	H3	H4	W1	W2	L
50	2"	16.3	HP-50	214.1	73	20	90	72	29.5	144
65	2 ½"	21.5	HP-63	233.2	87	20	90	85	29.5	163
80	3"	31.2	HP-63	250.8	87	20	90	85	29.5	163
100	4"	53.3	HP-75	280.0	104	20	90	96	29.5	210
125	5"	72.8	HP-88	313.5	116	20	90	108	29.5	247
150	6"	123.5	HP-100	343.2	128	20	90	123	29.5	268
200	8"	240.5	HP-125	405.0	150	20	90	151	29.5	347
250	10"	377.0	HP-145	475.3	179	20	90	172	29.5	414
300	12"	442.0	HP-145	552.0	179	20	90	172	29.5	414

The selection of the actuators are based on the below conditions:

- Air Supply Pressure : 5.5 bar
- Operating Pressure : 10 bar
- Liner : NBR
- Safety Factor : 30%

*Compatible with various actuator types.



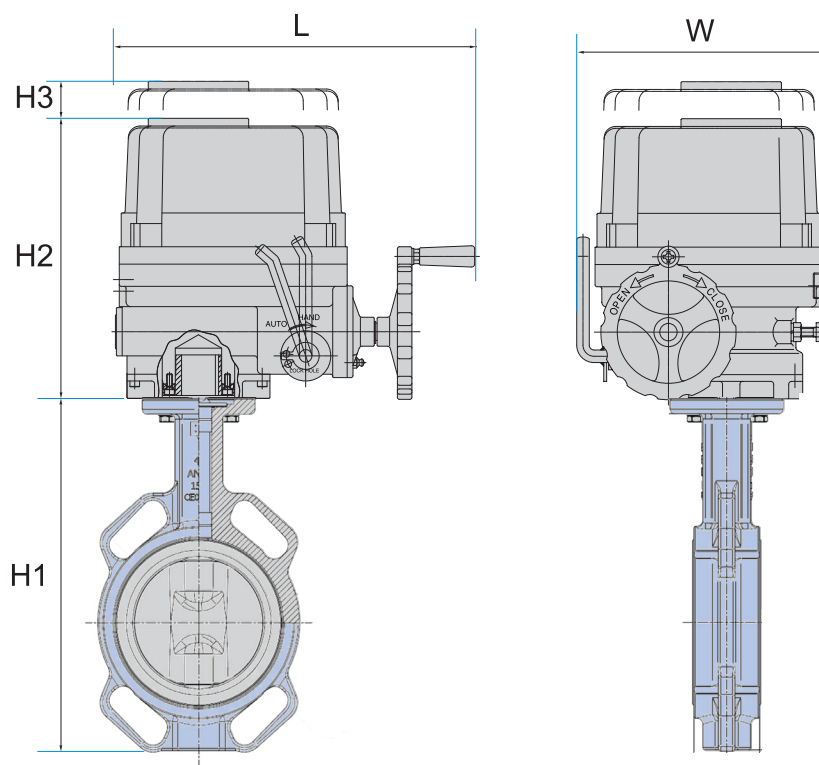
Pneumatic Actuator (Single Acting)

DN(mm)	Size(Inch)	Torques	Actuator	H1	H2	H3	H4	W1	W2	L
50	2"	16.3	HP-66S	214.1	87	20	90	85	29.5	202
65	2 ½"	21.5	HP-75S	233.2	104	20	90	96	29.5	210
80	3"	31.2	HP-88S	250.8	116	20	90	108	29.5	247
100	4"	53.3	HP-100S	280.0	128	20	90	123	29.5	268
125	5"	72.8	HP-115S	313.5	146	20	90	141	29.5	316
150	6"	123.5	HP-125S	343.2	159	20	90	151	29.5	347
200	8"	240.5	HP-160S	405.0	196	30	90	190	29.5	467
250	10"	377.0	HP-200S	475.3	247	30	90	227	29.5	555
300	12"	442.0	HP-210S	552.0	256	30	90	236	29.5	628

The selection of the actuators are based on the below conditions:

- Air Supply Pressure : 5.5 bar
- Operating Pressure : 10 bar
- Safety Factor : 30%
- Liner : NBR
- Air to Open, Spring to Close

*Compatible with various actuator types.



Electrical Actuator Operated

DN(mm)	Size(Inch)	Torques	Actuator	H1	H2	H3	W	L
50	2"	16.3	HQ-004	214.1	124	-	89	124
65	2 ½"	21.5	HQ-004	233.2	124	-	89	124
80	3"	31.2	HQ-006	250.8	132	-	126	104
100	4"	53.3	HQ-006	280.0	132	-	126	104
125	5"	72.8	HQ-008	313.5	265	-	166	166
150	6"	123.5	HQ-015	343.2	268	-	229	338
200	8"	240.5	HQ-030	405.0	304	-	259	368
250	10"	377.0	HQ-050	475.3	304	-	259	368
300	12"	442.0	HQ-050	552.0	304	-	259	368

The selection of the actuators are based on the below conditions:

- Air Supply Pressure : 5.5 bar
- Operating Pressure : 10 bar
- Safety Factor : 30%
- Liner : NBR

*Compatible with various actuator types.

REQUEST FOR QUOTE



STEP 1

Find the model series



STEP 2

Define the specification/valve code



STEP 3

Fill up ordering sheet (back of the brochure) or Scan the QR code below



STEP 4

Submit your order via our website or contact your local partner



STEP 5

Prepare for confirmation and delivery

*For further assistance with placing your order, please contact your local partner. A sales engineer will be assigned to assist you.

Valve Coding Sheet BU25

01	—	02	—	03	—	04	—	05	—	06																																																																																																						
<table border="1"> <thead> <tr> <th colspan="2">Body Material</th> </tr> </thead> <tbody> <tr><td>Code</td><td>Material</td></tr> <tr><td>G1</td><td>Cast Iron</td></tr> <tr><td>G2</td><td>Ductile Iron</td></tr> <tr><td>C1</td><td>WCB</td></tr> <tr><td>S1</td><td>SS304</td></tr> <tr><td>S2</td><td>SS316</td></tr> </tbody> </table>	Body Material		Code	Material	G1	Cast Iron	G2	Ductile Iron	C1	WCB	S1	SS304	S2	SS316		<table border="1"> <thead> <tr> <th colspan="2">Liner Material</th> </tr> </thead> <tbody> <tr><td>Code</td><td>Material</td></tr> <tr><td>E</td><td>EPDM</td></tr> <tr><td>N</td><td>NBR</td></tr> <tr><td>P</td><td>PTFE</td></tr> <tr><td>V</td><td>Viton</td></tr> <tr><td>S</td><td>Silicone</td></tr> <tr><td>R</td><td>Natural Rubber (Nr)</td></tr> </tbody> </table>	Liner Material		Code	Material	E	EPDM	N	NBR	P	PTFE	V	Viton	S	Silicone	R	Natural Rubber (Nr)		<table border="1"> <thead> <tr> <th colspan="2">Rating</th> </tr> </thead> <tbody> <tr><td>Code</td><td>Rating</td></tr> <tr><td>A</td><td>PN10</td></tr> <tr><td>B</td><td>PN16</td></tr> <tr><td>C</td><td>ANSI150</td></tr> <tr><td>D</td><td>JIS 10K</td></tr> <tr><td>E</td><td>JIS 16K</td></tr> </tbody> </table>	Rating		Code	Rating	A	PN10	B	PN16	C	ANSI150	D	JIS 10K	E	JIS 16K		<table border="1"> <thead> <tr> <th colspan="2">Size</th> </tr> </thead> <tbody> <tr><td>Code</td><td>Size</td></tr> <tr><td>A</td><td>½"</td></tr> <tr><td>B</td><td>2"</td></tr> <tr><td>C</td><td>2 ½"</td></tr> <tr><td>D</td><td>3"</td></tr> <tr><td>E</td><td>4"</td></tr> <tr><td>F</td><td>5"</td></tr> <tr><td>G</td><td>6"</td></tr> <tr><td>H</td><td>8"</td></tr> <tr><td>I</td><td>10"</td></tr> <tr><td>J</td><td>12"</td></tr> <tr><td>K</td><td>14"</td></tr> <tr><td>L</td><td>16"</td></tr> <tr><td>M</td><td>18"</td></tr> <tr><td>N</td><td>20"</td></tr> <tr><td>O</td><td>24"</td></tr> <tr><td>P</td><td>28"</td></tr> </tbody> </table>	Size		Code	Size	A	½"	B	2"	C	2 ½"	D	3"	E	4"	F	5"	G	6"	H	8"	I	10"	J	12"	K	14"	L	16"	M	18"	N	20"	O	24"	P	28"		<table border="1"> <thead> <tr> <th colspan="2">Connection</th> </tr> </thead> <tbody> <tr><td>Code</td><td>Material</td></tr> <tr><td>W</td><td>Wafer</td></tr> <tr><td>L</td><td>Lug</td></tr> </tbody> </table>	Connection		Code	Material	W	Wafer	L	Lug		<table border="1"> <thead> <tr> <th colspan="2">Operation</th> </tr> </thead> <tbody> <tr><td>Code</td><td>Type</td></tr> <tr><td>L</td><td>Lever</td></tr> <tr><td>G</td><td>Gearbox</td></tr> <tr><td>D</td><td>Double Acting Pneumatic Actuated</td></tr> <tr><td>S</td><td>Single Acting Pneumatic Actuated</td></tr> <tr><td>E</td><td>Electric Actuated</td></tr> </tbody> </table>	Operation		Code	Type	L	Lever	G	Gearbox	D	Double Acting Pneumatic Actuated	S	Single Acting Pneumatic Actuated	E	Electric Actuated
Body Material																																																																																																																
Code	Material																																																																																																															
G1	Cast Iron																																																																																																															
G2	Ductile Iron																																																																																																															
C1	WCB																																																																																																															
S1	SS304																																																																																																															
S2	SS316																																																																																																															
Liner Material																																																																																																																
Code	Material																																																																																																															
E	EPDM																																																																																																															
N	NBR																																																																																																															
P	PTFE																																																																																																															
V	Viton																																																																																																															
S	Silicone																																																																																																															
R	Natural Rubber (Nr)																																																																																																															
Rating																																																																																																																
Code	Rating																																																																																																															
A	PN10																																																																																																															
B	PN16																																																																																																															
C	ANSI150																																																																																																															
D	JIS 10K																																																																																																															
E	JIS 16K																																																																																																															
Size																																																																																																																
Code	Size																																																																																																															
A	½"																																																																																																															
B	2"																																																																																																															
C	2 ½"																																																																																																															
D	3"																																																																																																															
E	4"																																																																																																															
F	5"																																																																																																															
G	6"																																																																																																															
H	8"																																																																																																															
I	10"																																																																																																															
J	12"																																																																																																															
K	14"																																																																																																															
L	16"																																																																																																															
M	18"																																																																																																															
N	20"																																																																																																															
O	24"																																																																																																															
P	28"																																																																																																															
Connection																																																																																																																
Code	Material																																																																																																															
W	Wafer																																																																																																															
L	Lug																																																																																																															
Operation																																																																																																																
Code	Type																																																																																																															
L	Lever																																																																																																															
G	Gearbox																																																																																																															
D	Double Acting Pneumatic Actuated																																																																																																															
S	Single Acting Pneumatic Actuated																																																																																																															
E	Electric Actuated																																																																																																															

Your Valve Ordering Code:

BU25	—	01	02	03	04	05	06

Example:

BU25 - S2NADWL.
SS316 Material. NBR Liner. Pressure Rating of PN10, 3 inch size. Wafer Connection Type. Lever Operating Type.

*For special material or customisation, please refer to our sales engineer.



SCAN FOR ONLINE ORDERING FORM

Tel: +65 6909 1221
Email: enquiry@valvewerkz.com
Website: www.valvewerkz.com