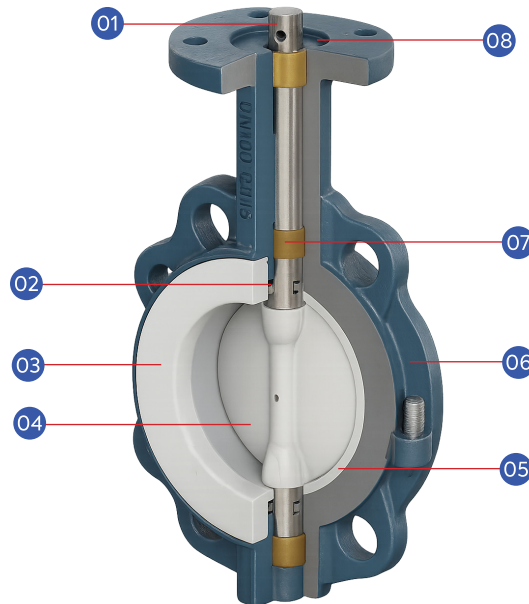


# PFA-LINED BUTTERFLY VALVE

ValveWerkz BU26 series PFA-lined butterfly valve is engineered for precise control and dependable isolation of aggressive media. This fully PFA-lined valve is ideal for corrosive and abrasive environments where tight shutoff, consistent operating torque, and minimal maintenance are critical. The BU26 series is rated for pressures up to 150 psi and is equally suitable for ultrapure process systems.



- 1. Shaft**  
Square-type stem head design enables easy adaptation to automated actuation.
- 2. Belleville Washer**  
The specially designed elastomer washer applies live loading to maintain constant pressure on the body lining. Fluoroelastomer materials reduce deformation caused by continuous temperature variation.
- 3. Seat**  
Moulded liner is machined to deliver low torque and minimise wear on contact surfaces.
- 4. One-Piece Disc**  
The disc features a spherically machined and hand-polished edge to reduce torque and enhance sealing performance.
- 5. Elastomer Back-up**  
Matching the width of the disc edge, this back-up element locks into the body groove. It increases resilience to the body liner and provides a bubble-tight seal.
- 6. Body**  
Two-piece split body with epoxy coating resists the effects of atmospheric corrosion.
- 7. Stem Bearings**  
Bronze, PTFE, or stainless steel bearings maintain shaft alignment. Self-lubricated design reduces shaft loading.
- 8. ISO 5211 Mounting Flange**  
Universal mounting dimensions support a wide range of actuators. Direct mounting of several actuation types is possible without adapters.

## Lining Material

ValveWerkz uses high-quality virgin resin sourced from reputable global brands for the production of its PFA, PTFE and FEP fluoropolymers. For lined valves, key performance factors such as liner thickness, resin grade, and fabrication quality play a vital role in determining valve reliability and overall service life.

### Seat Liner



Materials used: PFA, PTFE and FEP  
Moulded and machined with a minimum nominal thickness of 3 mm.  
Optional TFM liner available for highly demanding applications.

### Disc Lining



Fully lined with PFA or PTFE.  
Encapsulated with a minimum 3 mm thick PFA or PTFE layer.

## Lining Thickness

In compliance with ASTM F1545, the minimum required lining thickness is 3 mm. In real-world applications, increased thickness enhances protection in vacuum conditions, improves abrasion resistance, and reduces gas permeability. This contributes to better operational safety and a longer service life.

## Electrostatic Spark Test

Each lined valve is tested using a non-destructive high-voltage spark method before shipment, following standard QA procedures. The test uses a minimum of 10,000 volts to detect cracks, pinholes, or liner defects, ensuring structural integrity and a leak-tight seal.



# BU26 Series

## Split Body Design

Wafer, Lug

**Body Material Option:**

Ductile Iron GGG40  
Carbon Steel 1.0619  
Stainless Steel 1.4408

**Liner Material Option:**

PFA / PTFE / RTFE / TFM

Pressure rating of PN10, PN16, ANSI 150, JIS 10K, JIS 16K

Face-to-face Standard API609, EN558-120 Series, ISO5752, DIN3202K1

ISO 5211 Top Flange

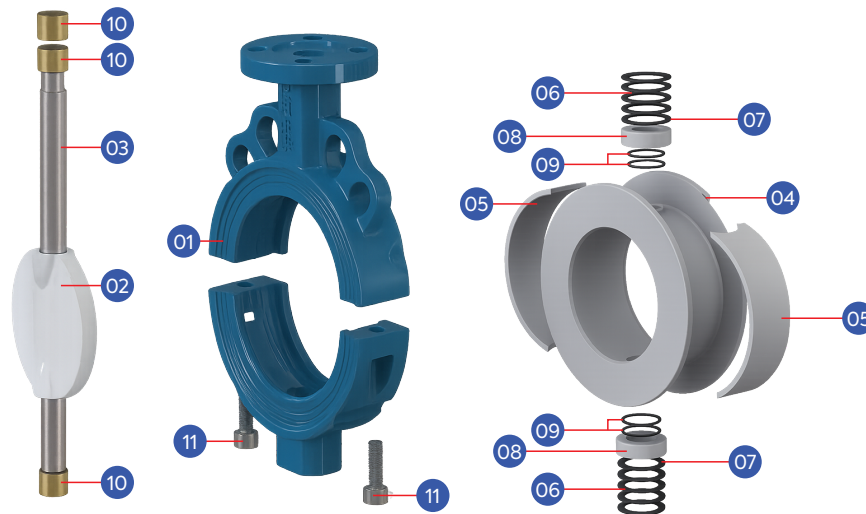
Flange Drilling BS EN1092, JIS B2220, ASME Class 125 / Class 150

Square Top Flange

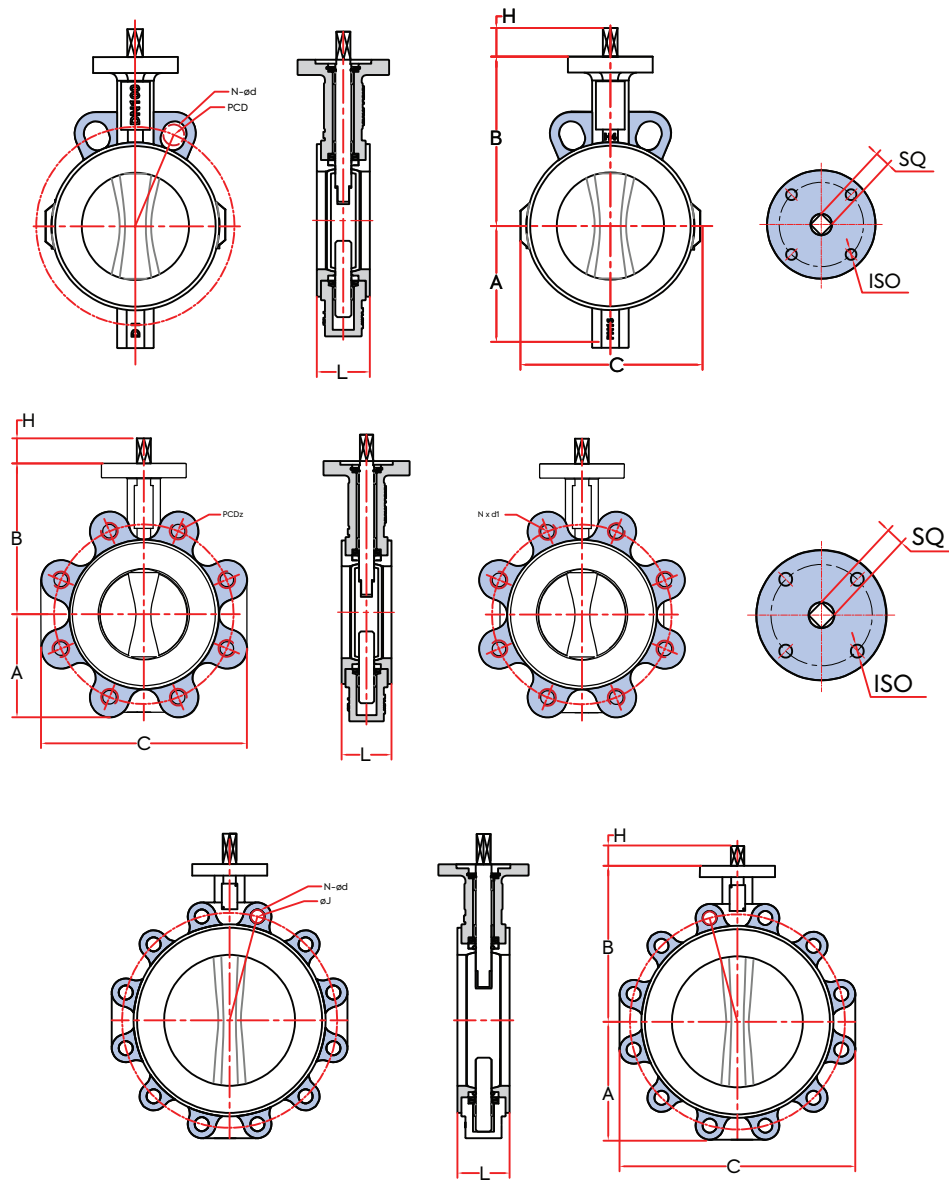
**Operating Temperature**

-40°C to 180°C

ValveWerkz BU26 Series PFA-lined butterfly valve is engineered for precise control and reliable isolation of aggressive media. This PFA-lined design is ideal for corrosive and abrasive environments that require tight shutoff, stable torque, and low-maintenance performance. The BU26 series is rated for pressures up to 150 psi and is suitable for use in ultrapure process systems.

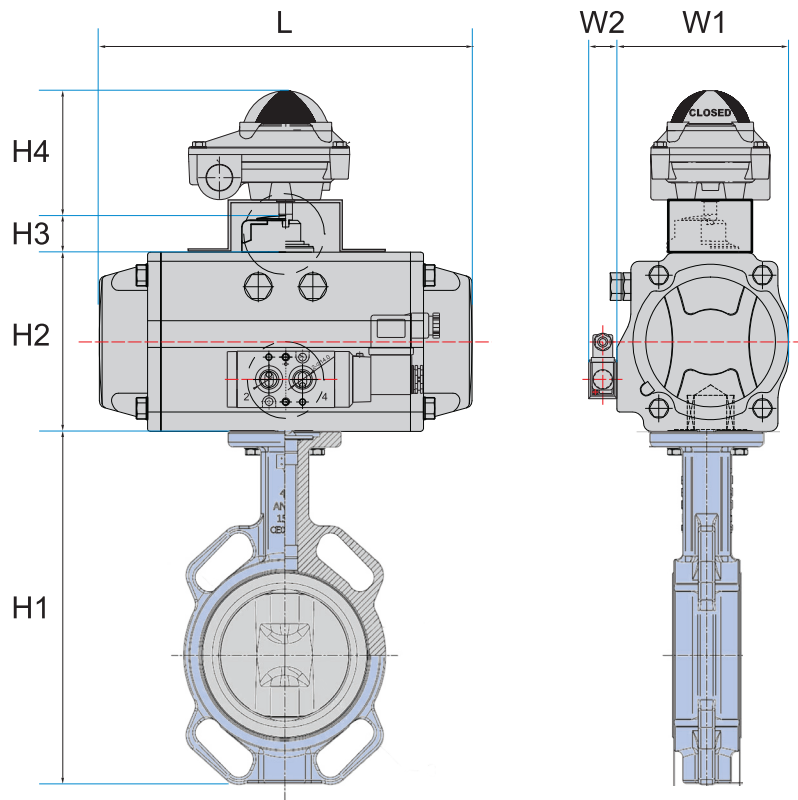


Part Name	Material		
1. Body	Ductile Iron GGG40	Carbon Steel 1.0619	Stainless Steel 1.4408
2. Disc	PFA / PTFE / FEP Lined	Stainless Steel 1.4308	Aluminum Bronze
3. Stem	Stainless Steel 1.4308		
4. Liner	PFA / PTFE / RTFE / TFM		
5. Back-up	VMQ Silicon Rubber / FKM / EPDM		
6. Belleville Washers	VMQ Silicon Rubber		
7. Washers	PTFE		
8. Pusher	Stainless Steel 1.4308		
9. O-Ring	FKM / VMQ / FKM with PTFE		
10. Bearing	316 with PTFE		
11. Screw	Stainless Steel 1.4308		



## Dimensions(mm)

DN	Inch	L	A		B		C		H	SQ	ISO	PCD	n X Ød	Lever		
			Wafer	Lug	Wafer	Lug	Wafer	Lug						A	B	F
50	2"	47	75.0	66.0	136.0	136	116	149	32	9	F05	65	4-7	190	65	F05
65	2½"	50	85.0	70.0	138.0	138	130	159	32	9	F05	65	4-7	190	65	F05
80	3"	50	90.0	92.0	140.0	140	142	182	32	9	F05	65	4-7	190	65	F05
100	4"	55	115.0	108.0	158.0	158	178	217	32	11	F07	90	4-10	256	76	F07
125	5"	59	135.0	120.0	170.0	170.0	217.0	240.0	32	14	F07	90	4-10	256	76	F07
150	6"	59	147.0	134.0	190.0	190.0	233.0	267.0	32	14	F07	90	4-10	256	76	F07
200	8"	63	172.0	160.0	231.0	232.0	288.0	320.0	32	17	F10	125	4-12	355	106	F10
250	10"	73	210.0	200.0	260.0	270.0	344.0	400.0	32	22	F10	125	4-12	355	106	F10
300	12"	81	245.0	233.0	291.0	300.0	306.0	465.0	45	22	F10	125	4-12	355	106	F10
350	14"	81	260.0	258.0	320.0	333.0	456.0	512.0	45	22	F12	150	4-14			
400	16"	102	298.0	292.0	408.0	403.0	585.0	585.0	52.0	27	F14	175	4-18			



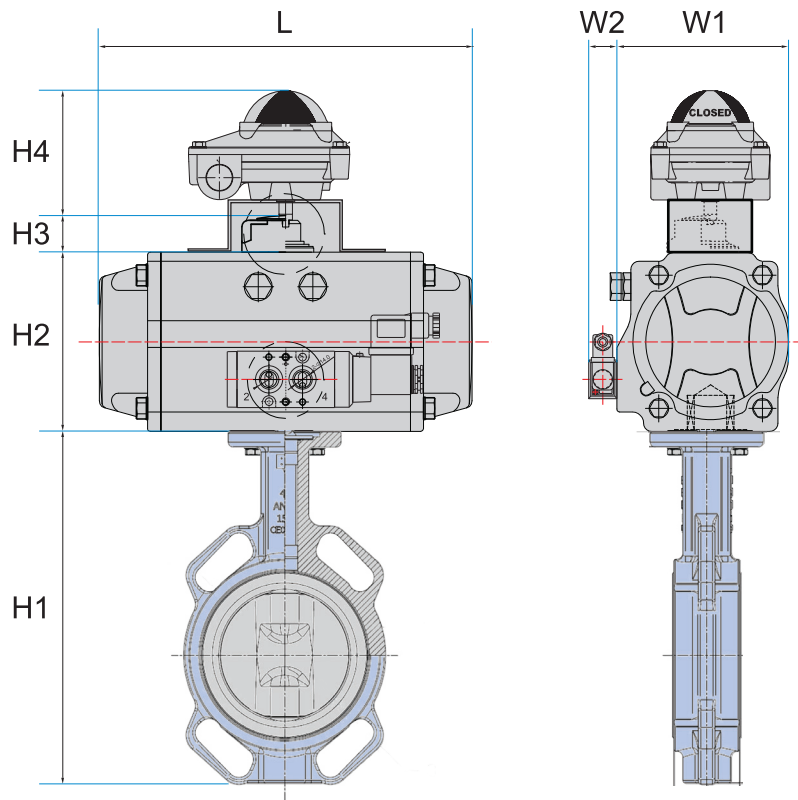
**Pneumatic Actuator (Double Acting)**

DN(mm)	Size(Inch)	Torques	Actuator	H1		H2	H3	H4	W1	W2	L
				Wafer	Lug						
50	2"	39.0	HP-066	211.0	202.0	87	20	90	85	29.5	202
65	2 ½"	45.5	HP-066	223.0	208.0	87	20	90	85	29.5	202
80	3"	71.5	HP-088	230.0	232.0	116	20	90	108	29.5	247
100	4"	84.5	HP-088	273.0	266.0	116	20	90	108	29.5	247
125	5"	149.5	HP-100	305.0	290.0	128	20	90	123	29.5	268
150	6"	195.0	HP-115	337.0	324.0	146	20	90	141	29.5	316
200	8"	325.0	HP-145	403.0	392.0	179	20	90	172	29.5	414
250	10"	468.0	HP-145	470.0	470.0	179	20	90	172	29.5	414
300	12"	585.0	HP-160	536.0	533.0	196	30	90	190	29.5	467

The selection of the actuators are based on the below conditions:

- Air Supply Pressure : 5.5 bar
- Operating Pressure : 10 bar
- Safety Factor : 30%
- Liner : PTFE

\*Compatible with various actuator types.



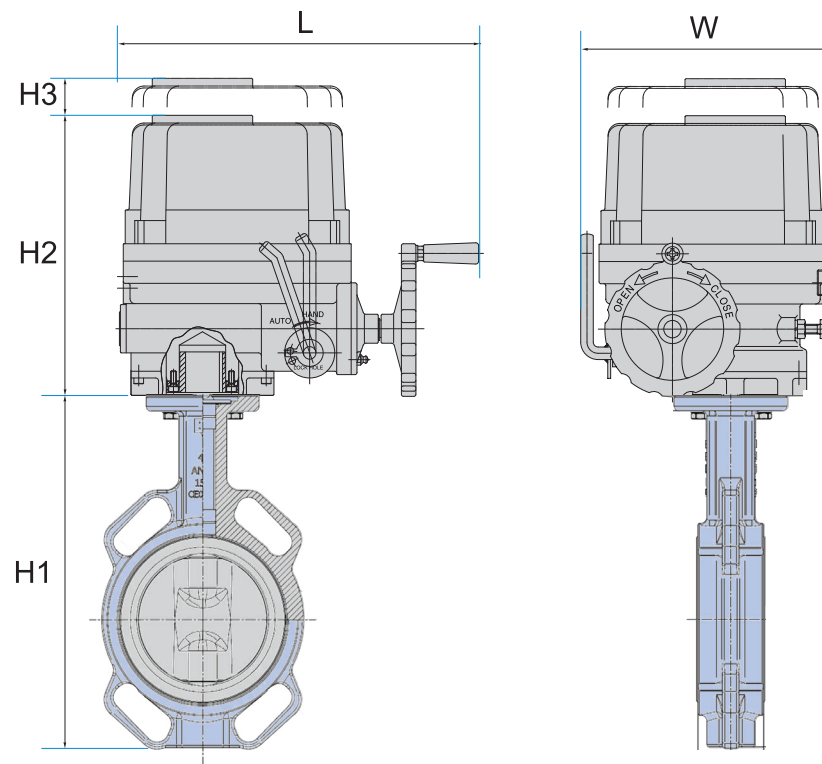
## Pneumatic Actuator (Single Acting)

DN(mm)	Size(Inch)	Torques	Actuator	H1		H2	H3	H4	W1	W2	L
				Wafer	Lug						
50	2"	39.0	HP-88S	211.0	202.0	116	20	90	108	29.5	247
65	2 ½"	45.5	HP-100S	223.0	208.0	128	20	90	123	29.5	268
80	3"	71.5	HP-115S	230.0	232.0	146	20	90	141	29.5	316
100	4"	84.5	HP-115S	273.0	266.0	146	20	90	141	29.5	316
125	5"	149.5	HP-145S	305.0	290.0	179	20	90	172	29.5	414
150	6"	195.0	HP-145S	337.0	324.0	179	20	90	172	29.5	414
200	8"	325.0	HP-200S	403.0	392.0	247	30	90	227	29.5	555
250	10"	468.0	HP-200S	470.0	470.0	247	30	90	227	29.5	555
300	12"	585.0	HP-211S	536.0	533.0	256	30	90	236	29.5	669

The selection of the actuators are based on the below conditions:

- Air Supply Pressure : 5.5 bar
- Operating Pressure : 10 bar
- Safety Factor : 30%
- Liner : PTFE
- Air to Open, Spring to Close

\*Compatible with various actuator types.



**Electrical Actuator Operated**

DN(mm)	Size(Inch)	Torques	Actuator	H1		H2	H3	W	L
				Wafer	Lug				
50	2"	39.0	HQ-006	211.0	202.0	132	-	126	104
65	2 1/2"	45.5	HQ-006	223.0	208.0	132	-	126	104
80	3"	71.5	HQ-008	230.0	232.0	235	-	166	265
100	4"	84.5	HQ-010	273.0	266.0	235	-	166	265
125	5"	149.5	HQ-015	305.0	290.0	268	-	229	338
150	6"	195.0	HQ-030	337.0	324.0	304	-	259	368
200	8"	325.0	HQ-050	403.0	392.0	304	-	259	368
250	10"	468.0	HQ-050	470.0	470.0	304	-	259	368
300	12"	585.0	HQ-060	536.0	533.0	304	-	259	378

The selection of the actuators are based on the below conditions:

- Air Supply Pressure : 5.5 bar
- Operating Pressure : 10 bar
- Safety Factor : 30%
- Liner : PTFE

\*Compatible with various actuator types.

# REQUEST FOR QUOTE



**STEP 1**

Find the model series



**STEP 2**

Define the specification/valve code



**STEP 3**

Fill up ordering sheet (back of the brochure) or Scan the QR code below



**STEP 4**

Submit your order via our website or contact your local partner

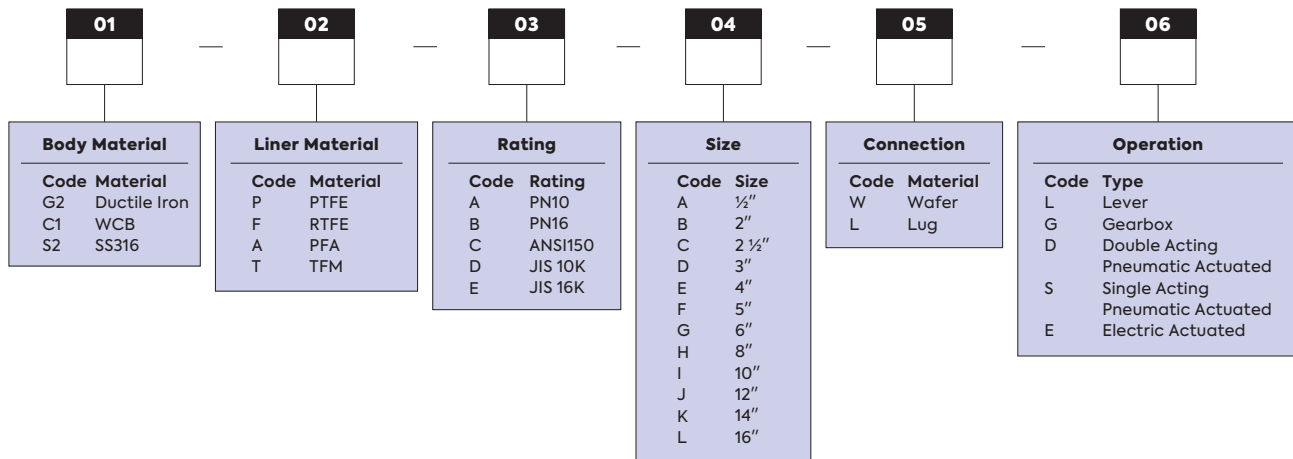


**STEP 5**

Prepare for confirmation and delivery

\*For further assistance with placing your order, please contact your local partner. A sales engineer will be assigned to assist you.

## Valve Coding Sheet BU26



Your Valve Ordering Code:

BU26 —

Example:

BU26 - S2PADWL.  
SS316 Material. PTFE Liner. Pressure Rating of PN10, 3 inch size. Wafer Connection Type.  
Lever Operating Type.

\*For special material or customisation, please refer to our sales engineer.



SCAN FOR ONLINE ORDERING FORM

Tel: +65 6909 1221  
Email: enquiry@valvewerkz.com  
Website: www.valvewerkz.com